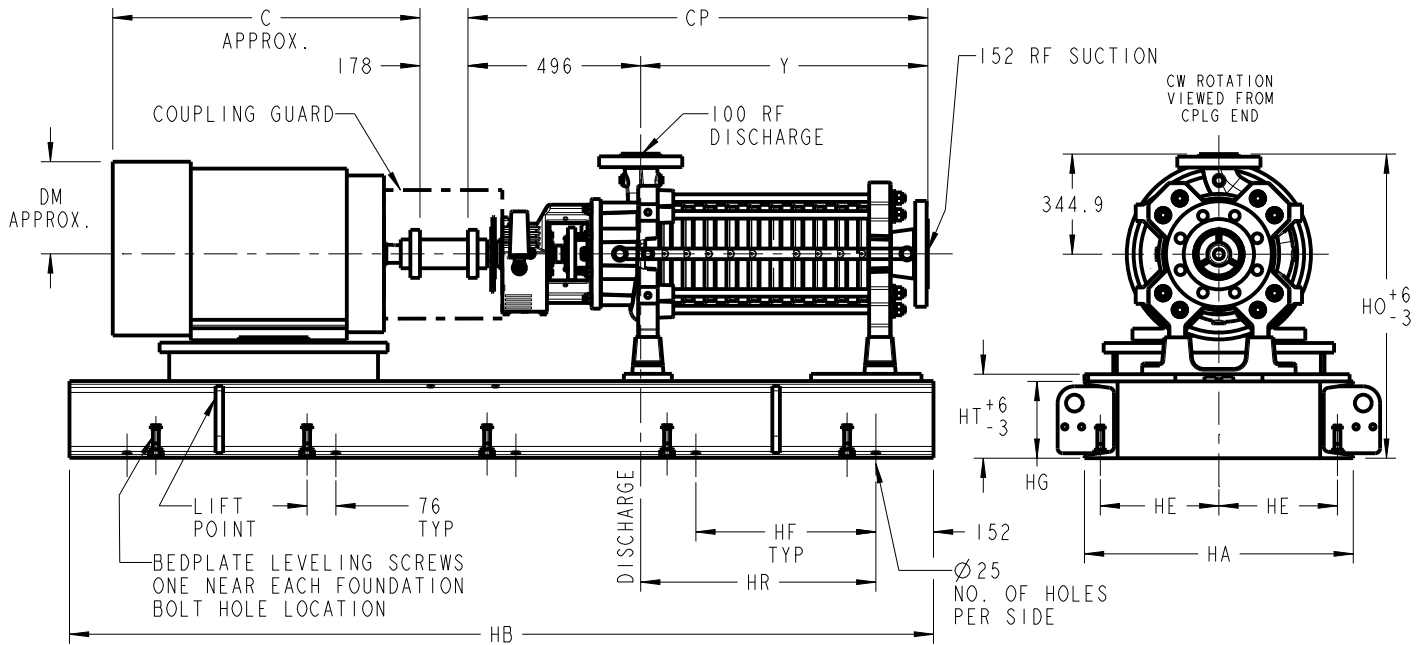


# END SUCTION METRIC MODEL FM 100-250 B



MOTOR DIMENSIONS ( TEFC )					
MOTORS	C	DM	WT. INCL. CPLG.	BASE CODE	
324TS -	737	216	254		1
326TS -	737	216	254		
364TS -	813	244	372		
365TS -	813	244	372		
404T 250S	991	271	526		
404TS -	914	271	522		3
405T 250M	991	271	526		
405TS -	914	271	522		
444T 280S	1143	299	748		
444TS -	1041	299	733		
445T 280M	1143	299	748		
445TS -	1041	299	733		
447T -	1219	299	1025		
447TS -	1194	299	1025		
449T -	1346	299	1157		
449TS -	1295	299	1157		

PUMP DIMENSIONS						
NO OF STAGES	Y	CP	HR	WT	PUMP CODE	
2	310	806	559	366	A	
3	389	886		406	A	
4	469	966		446	A	
5	549	1046		486	A	
6	629	1126		526	A	
7	709	1206	568	A		
8	789	1286	838	609	B	
9	869	1366		651	B	
10	950	1446		700	B	
11	1030	1526		733	B	
12	-	-		-	-	
13	-	-		-	-	
14	-	-		-	-	

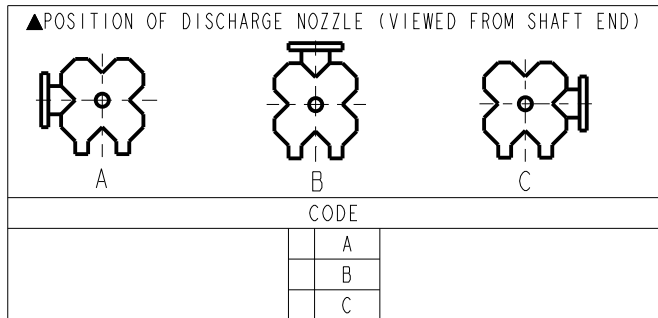
BASEPLATE DIMENSIONS									
NO	HA	HB	HE	HF	HG	HO	HT	WT	NO. OF HOLES PER SIDE
1A	610	2286	267	660	152	885	178	383	4
2A	610	2286	267	660	203	885	229	404	4
3A	711	2540	318	559	203	936	229	512	5
3B	711	2794	318	622	203	936	229	518	5

▲SEE BELOW FOR ACTUAL DISCHARGE NOZZLE POSITION PROVIDED

"-" NOT OFFERED IN NEMA FRAMES.

INSTALL FOUNDATION BOLTS IN PIPE SLEEVES. ALLOW 25.4mm TO 50.08mm FOR GROUTING. SEE INSTRUCTION BOOK FOR DETAILS.

AVAILABLE OPTIONS	
FLANGES (RAISED FACE):	
DISC:	<input type="checkbox"/> 600# (ANSI B16.5)
	<input type="checkbox"/> 900# (ANSI B16.5)
	<input type="checkbox"/> PN-63 (EN 1092-1)
	<input type="checkbox"/> PN-100 (EN 1092-1)
SUCT:	<input type="checkbox"/> 150# (ANSI B16.5)
	<input type="checkbox"/> 300# (ANSI B16.5)
	<input type="checkbox"/> PN-40 (EN 1092-1)
CPLG. GUARD FURNISHED BY	



CERTIFIED FOR CONSTRUCTION PURPOSES ONLY WHEN SIGNED.

SIGNATURE

DATE

ISSUE

DRAWING IS NOT TO SCALE  
DIMENSIONS IN MILLIMETERS  
WEIGHTS(Kg) ARE APPROXIMATE

DRAWN

DRAWING

REVISION

ISSUE

APPROVED

A10057A

--

FORM NO.

